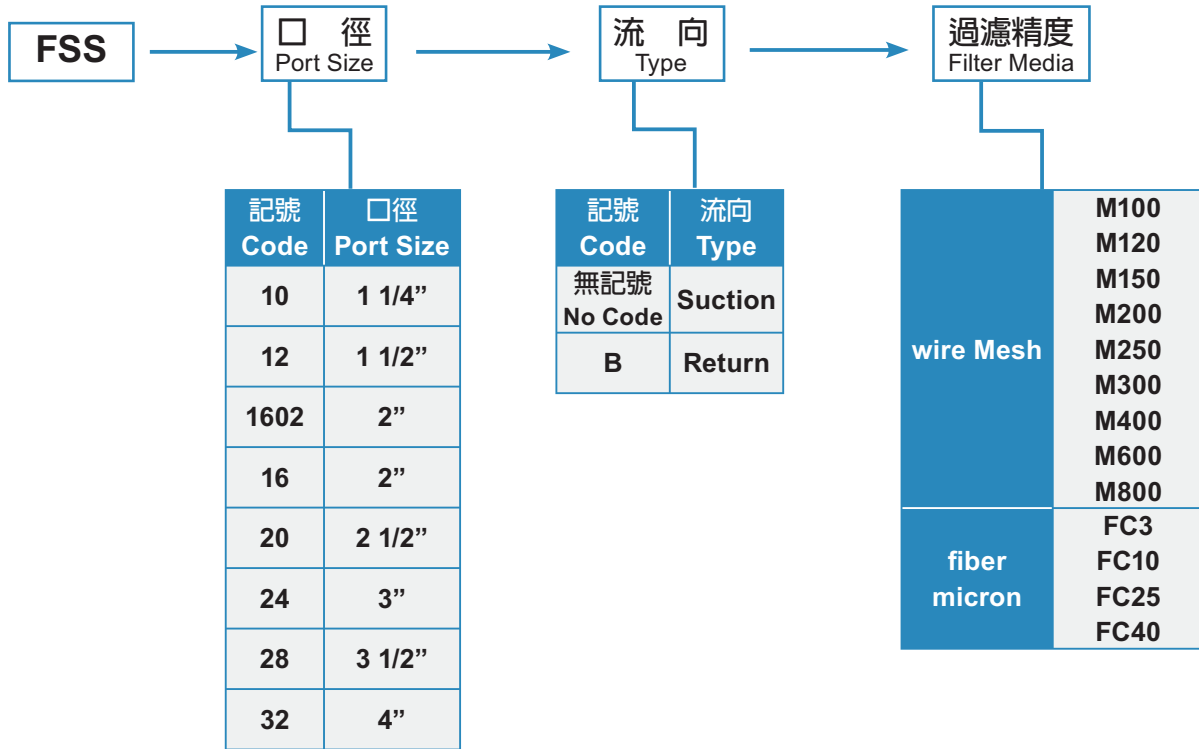
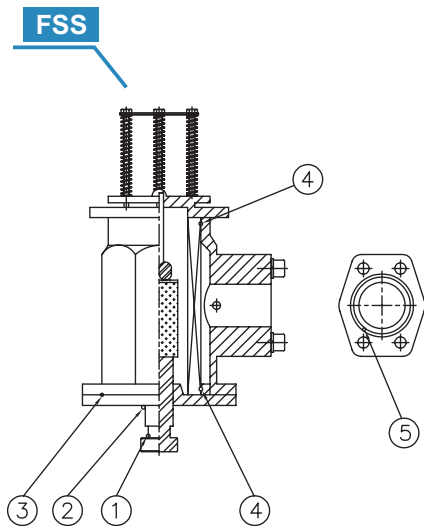


FSS型式編號 FSS Ordering Code



FSS箱外濾油器O型環 FSS O-Ring



| 型式編號 Model | 過濾面積 Filter area CM ² | O型環 O-Ring | | | | | 濾網尺寸 Element |
|---------------|--|---------------|------|---------------|---------------|-------|---------------------|
| | | 1 | 2 | 3 | 4 | 5 | |
| FSS-10 | 2,320 | AS 568-121 | P-38 | G-120 | G-90 | G-65 | FS-90 Ø90X199L |
| FSS-12 | | | | | | | |
| FSS-1602 | | | | | | | |
| FSS-10B | 2,910 | AS 568-121 | P-38 | AS 568-261 | AS 568-250 | G-85 | FS-126 Ø126X217L |
| FSS-12B | | | | | | | |
| FSS-1602B | | | | | | | |
| FSS-16 | 3,498 | AS 568-121 | P-38 | AS 568-261 | AS 568-250 | G-85 | FS-126 Ø126X217L |
| FSS-20 | | | | | | | |
| FSS-24 | | | | | | | |
| FSS-16B | 4,134 | AS 568-121 | P-38 | AS 568-261 | AS 568-250 | G-85 | FS-126 Ø126X217L |
| FSS-20B | | | | | | | |
| FSS-24B | | | | | | | |
| FSS-28 | 4,302 | AS 568-121 | P-38 | G-190 | AS 568-254 | G-115 | FS-140 Ø140X244L |
| FSS-32 | | | | | | | |
| FSS-28B | | | | | | | |
| FSS-32B | 5,019 | AS 568-121 | P-38 | G-190 | AS 568-254 | G-115 | FS-140 Ø140X244L |